

1

2

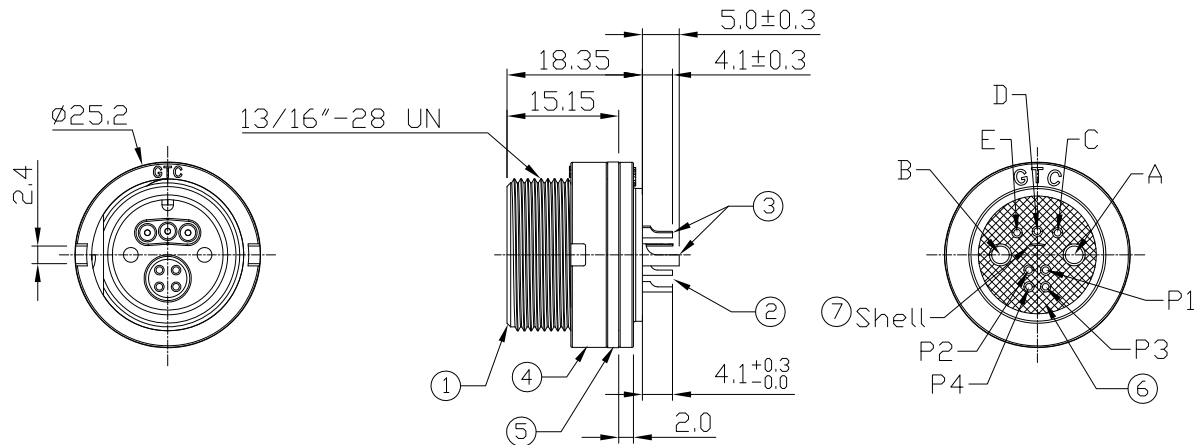
3

4

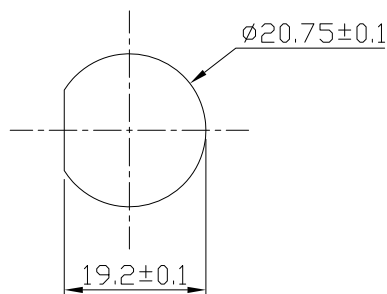
Notes: (Unless Otherwise Specified)

- 1. Waterproof Rate : IP67.
- 2. Recommend Panel Thickness: 0.8 to 3.0 mm.
- 3. Recommend Torque: 14.0~15.0 Kgf-cm.
- 4. Mating Cap P/N: GT1C5331X2.
- 5. RoHS Compliant.

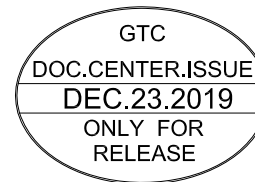
REV	ECN#	DESCRIPTION OF REVISION	DRAW BY DATE	CHECK BY DATE	APPROVE BY DATE
01			Lucas 12/19/19	Lucas 12/19/19	Ray 12/19/19



7	Shell	Copper Alloy Finish: Ni Plated	1
6	Glue	Epoxy Color: Black	
5	Gasket	Silicone Color: Black	1
4	Spanner Nut	Thermoplastic Color: Black	1
3	Male Contacts	Copper Alloy Finish: Au Plated	5
2	Female Contacts	Beryllium Copper Finish: Au Plated	4
1	Housing	Thermoplastic Color: Black	1
Item	Part Name	Material/Finish	Q'ty



Recommend Panel Cut-Out



TITLE						DRAWING NUMBER			REV.
Hybrid C3 15A+2A 2P+3P Male/2A 4P Female Panel Solder Screw With Shell						GT1D3308-08270(S)			01
	B	1:1	Lucas 12/19/19	Lucas 12/19/19	Ray 12/19/19	X.X ± 0.5 X.XX ± 0.2	X.XXX ± 0.05 ANGLES ± 1°	mm	1/1
THIRD ANGLE PROJECTION	SIZE	SCALE	DRAW / DATE	CHECK / DATE	APPROVE / DATE	TOLERANCES		UNIT	SHEET

GT Contact CO.,LTD

NOTICE OF PROPRIETARY PROPERTY:
 THE INFORMATION CONTAINED HEREIN IS THE PROPRIETARY PROPERTY OF GT CONTACT CO.,LTD THE POSSESSOR AGREES TO THE FOLLOWING:
 (A) TO MAINTAIN THIS DOCUMENT IN CONFIDENCE
 (B) NOT TO REPRODUCE OR COPY IT
 (C) NOT TO REVEAL OR PUBLISH IT IN WHOLE OR PART
 (D) ALL RIGHTS RESERVED

1

2

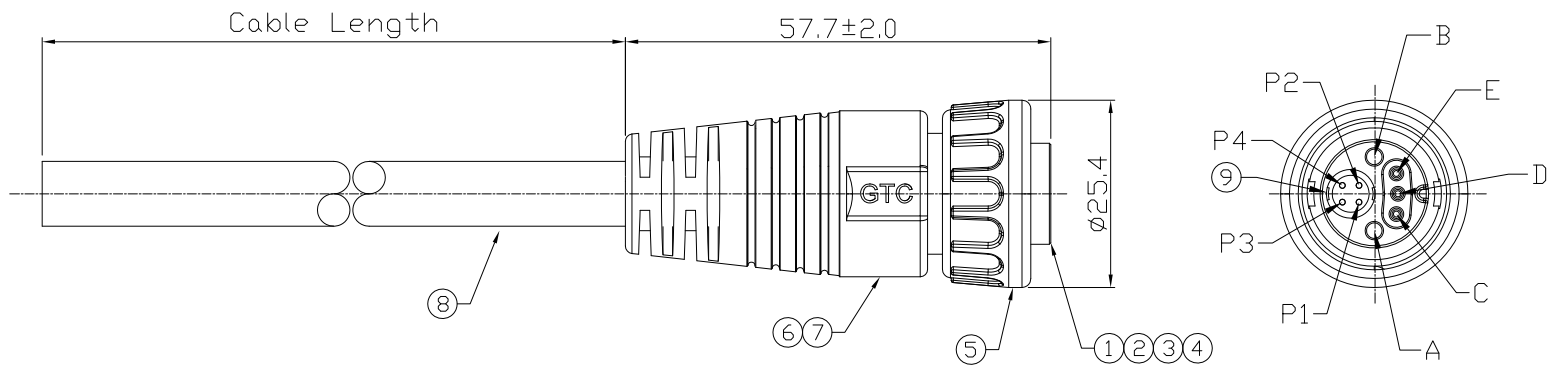
3

4

Notes: (Unless Otherwise Specified)

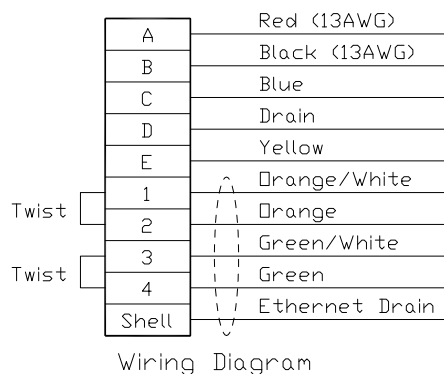
- 1. Waterproof Rate: IP67.
- 2. RoHS Compliant.

REV	ECN#	DESCRIPTION OF REVISION	DRAW BY DATE	CHECK BY DATE	APPROVE BY DATE
01			Lucas 12/19/19	Lucas 12/19/19	Ray 12/19/19



GT1D3329-08271-40	40000 mm	+2000
GT1D3329-08271-15	15000 mm	+750
GT1D3329-08271-10	10000 mm	+500
GT1D3329-08271-09	9000 mm	+450
GT1D3329-08271-08	8000 mm	+400
GT1D3329-08271-07	7000 mm	+150
GT1D3329-08271-06	6000 mm	+150
GT1D3329-08271-05	5000 mm	+150
GT1D3329-08271-04	4000 mm	+150
GT1D3329-08271-03	3000 mm	+100
GT1D3329-08271-02	2000 mm	+100
GT1D3329-08271-01	1000 mm	+50
GT1D3329-08271-Z9	900 mm	+50
GT1D3329-08271-Z8	800 mm	+50
GT1D3329-08271-Z7	700 mm	+50
GT1D3329-08271-Z6	600 mm	+50
GT1D3329-08271-Z5	500 mm	+50
GT1D3329-08271-Z4	400 mm	+50
GT1D3329-08271-Z3	300 mm	+25
GT1D3329-08271-Z2	200 mm	+25
Part No.	Cable Length	Tol.

9	Shell	Copper Alloy Finish: Ni Plated	1
8	Cable	NDJUL (2C*13AWG+2C*24AWG+(2P*24AWG+AE)+AE) Color: Black, OD=8.8mm	1
7	Over Mold	PVC Color: Black	1
6	Inner Mold	Thermoplastic Color: White	1
5	Screw Nut	Thermoplastic Color: Black	1
4	Male Contacts	Copper Alloy Finish: Au Plated	4
3	Female Contacts	Beryllium Copper Finish: Au Plated	5
2	O-Ring	Silicone Color: Red	1
1	Housing	Thermoplastic Color: Black	1
Item	Part Name	Material / Finish	Q'ty



TITLE						DRAWING NUMBER			REV.
Hybrid C3 15A+2A 2P+3P Female/2A 4P Male Cable End Screw With Shell						GT1D3329-08271-XX			01
THIRD ANGLE PROJECTION	SIZE	SCALE	DRAW / DATE	CHECK / DATE	APPROVE / DATE	TOLERANCES		UNIT	SHEET
DD NOT SCALE DRAWINGS	B	1:1	Lucas 12/19/19	Lucas 12/19/19	Ray 12/19/19	XX ± 0.5 XXX ± 0.2 XXXX ± 0.05 ANGLES ± 1°		mm	1/1

GT Contact CO.,LTD

NOTICE OF PROPRIETARY PROPERTY:
 THE INFORMATION CONTAINED HEREIN IS THE PROPRIETARY PROPERTY OF GT Contact CO.,LTD THE POSSESSOR AGREES TO THE FOLLOWING:
 (A) TO MAINTAIN THIS DOCUMENT IN CONFIDENCE
 (B) NOT TO REPRODUCE OR COPY IT
 (C) NOT TO REVEAL OR PUBLISH IT IN WHOLE OR PART
 (D) ALL RIGHTS RESERVED