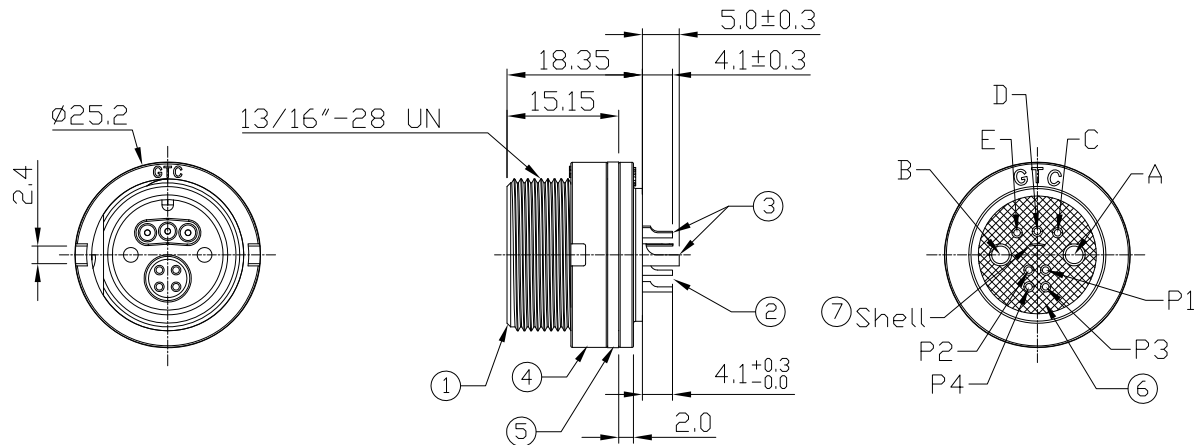


Notes: (Unless Otherwise Specified)

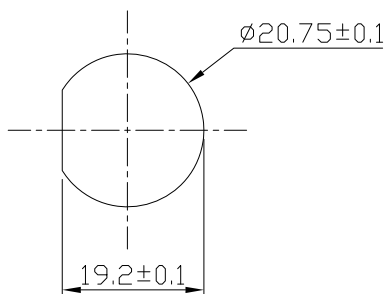
- 1. Waterproof Rate : IP67.
- 2. Recommend Panel Thickness: 0.8 to 3.0 mm.
- 3. Recommend Torque: 14.0~15.0 Kgf-cm.
- 4. Mating Cap P/N: GT1C5331X2.
- 5. RoHS Compliant.



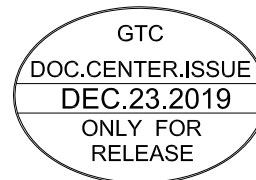
BREDI S.r.l.
 Via dei Falegnami, 2 - 41049 - Sassuolo - MO - ITALY
 T: +39 - 0536 803 561 - F: +39 - 0536804812
www.bredi.it - vendite@bredi.it
 Marchio solo per finalità commerciale



7	Shell	Copper Alloy Finish: Ni Plated	1
6	Glue	Epoxy Color: Black	
5	Gasket	Silicone Color: Black	1
4	Spanner Nut	Thermoplastic Color: Black	1
3	Male Contacts	Copper Alloy Finish: Au Plated	5
2	Female Contacts	Beryllium Copper Finish: Au Plated	4
1	Housing	Thermoplastic Color: Black	1
Item	Part Name	Material/Finish	Q'ty



Recommend
Panel Cut-Out



TITLE						DRAWING NUMBER			REV.	
Hybrid C3 15A+2A 2P+3P Male/2A 4P Female Panel Solder Screw With Shell						GT1D3308-08270(S)			01	
	B	1:1	Lucas 12/19/19	Lucas 12/19/19	Ray 12/19/19	X.X ± 0.5	X.XXX ± 0.05	mm	1/1	
THIRD ANGLE PROJECTION	SIZE	SCALE	DRAW / DATE	CHECK / DATE	APPROVE / DATE	TOLERANCES		UNIT	SHEET	

GT Contact CO.,LTD

NOTICE OF PROPRIETARY PROPERTY:
 THE INFORMATION CONTAINED HEREIN IS THE PROPRIETARY PROPERTY OF GT Contact CO.,LTD THE POSSESSOR AGREES TO THE FOLLOWING:
 (i) TO MAINTAIN THIS DOCUMENT IN CONFIDENCE
 (ii) NOT TO REPRODUCE OR COPY IT
 (iii) NOT TO REVEAL OR PUBLISH IT IN WHOLE OR PART
 (iv) ALL RIGHTS RESERVED