

1

2

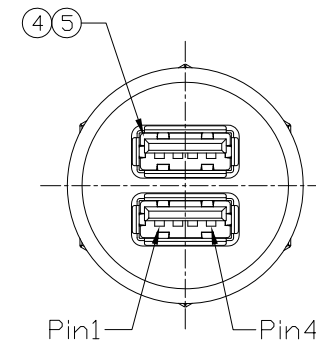
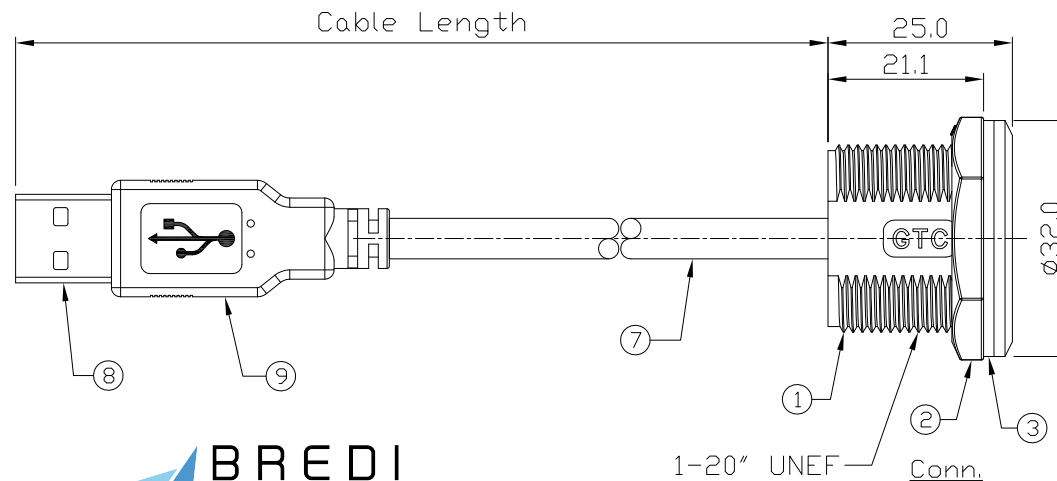
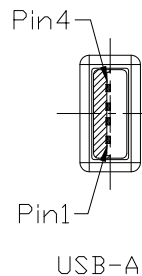
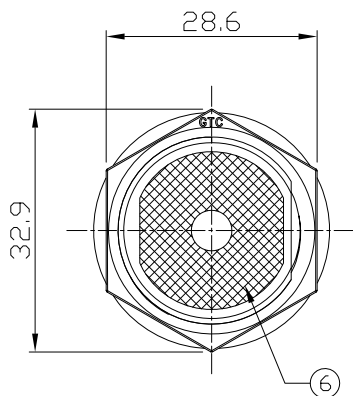
3

4

Notes: (Unless Otherwise Specified)

1. Waterproof Rate: IP67.
2. Recommend Panel Thickness: 0.8 to 12.0 mm.
3. Recommend Torque: 19~20 Kgf-cm.
4. RoHS Compliant.

REV	ECN#	DESCRIPTION OF REVISION	DRAW BY DATE	CHECK BY DATE	APPROVE BY DATE
A0			Lucas 05/21/20	Lucas 05/21/20	Ray 05/21/20



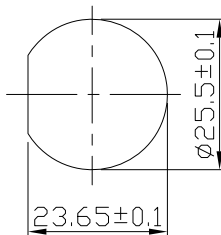
GTC
DOC.CENTER.ISSUE
MAY.21.2020
ONLY FOR
RELEASE

BREDI
Electronic components source

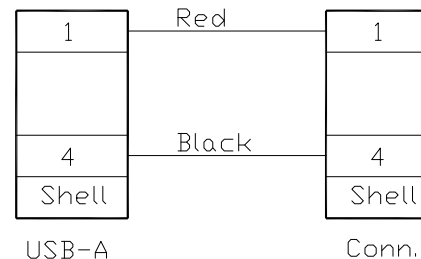
BREDI S.r.l.
Via dei Falegnami, 2 - 41049 - Sassuolo - MO - ITALY
T: +39 - 0536 803 561 - F: +39 - 0536804812
www.bredi.it - vendite@bredi.it
Marchio solo per finalità commerciale

GT1113B2-05-10	10000 mm	+500
GT1113B2-05-09	9000 mm	+450
GT1113B2-05-08	8000 mm	+400
GT1113B2-05-07	7000 mm	+150
GT1113B2-05-06	6000 mm	+150
GT1113B2-05-05	5000 mm	+150
GT1113B2-05-04	4000 mm	+150
GT1113B2-05-03	3000 mm	+100
GT1113B2-05-02	2000 mm	+100
GT1113B2-05-01	1000 mm	+50
GT1113B2-05-Z9	900 mm	+50
GT1113B2-05-Z8	800 mm	+50
GT1113B2-05-Z7	700 mm	+50
GT1113B2-05-Z6	600 mm	+50
GT1113B2-05-Z5	500 mm	+50
GT1113B2-05-Z4	400 mm	+50
GT1113B2-05-Z3	300 mm	+25
GT1113B2-05-Z2	200 mm	+25
GT1113B2-05-Z1	100 mm	+25
Part No.	Cable Length	Tol.

9	Over Mold	PVC Color: Black	1
8	USB-A Plug	Housing: Thermoplastic, Color: Black Contacts: Copper Alloy, Finish: Au Plated Shell: Cold Roll Steel, Finish: Ni Plated	1
7	Cable	UL2464 2C*22AWG+Al/My+D, DD=5.0mm Color: Black	1
6	Glue	Epoxy Color: Black	
5	PCB	FR-4 Color: —	1
4	USB-A Receptacle	Housing: Thermoplastic, Color: Black Contacts: Copper Alloy, Finish: Au Plated Shell: Copper Alloy, Finish: Ni Plated	2
3	Gasket	Silicone Color: Black	1
2	Hex Nut	Thermoplastic Color: Black	1
1	Housing	Thermoplastic Color: Black	1
Item	Part Name	Material / Finish	QTY



Recommend
Panel Cut-Out



Wiring Diagram

TITLE						DRAWING NUMBER			REV.
Dual USB-A Plastic C4 Panel Rear Mount Jack With USB-A Plug						GT1113B2-05-XX			A0
THIRD ANGLE PROJECTION	SIZE	SCALE	DRAW / DATE	CHECK / DATE	APPROVE / DATE	TOLERANCES		SHEET	
	B	1:1	Lucas 05/21/20	Lucas 05/21/20	Ray 05/21/20	X.X ± 0.5 X.XX ± 0.2	X.XXX ± 0.05 ANGLES ± 1°	mm 1/1	

GT Contact CO.,LTD

NOTICE OF PROPRIETARY PROPERTY:
THE INFORMATION CONTAINED HEREIN IS THE PROPRIETARY PROPERTY OF GT Contact CO.,LTD THE POSSESSOR AGREES TO THE FOLLOWING:
(a) TO MAINTAIN THIS DOCUMENT IN CONFIDENCE
(b) NOT TO REPRODUCE OR COPY IT
(c) NOT TO REVEAL OR PUBLISH IT IN WHOLE OR PART
(d) ALL RIGHTS RESERVED