

1

2

3

4

Notes: (Unless Otherwise Specified)

- 1. DWV: 500 Vrms
- 2. Rated Voltage: 30V AC/DC
- 3. Insulation Resistance: 100 MΩ MIN.
- 4. RoHS Compliant.

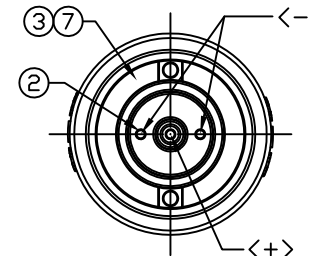
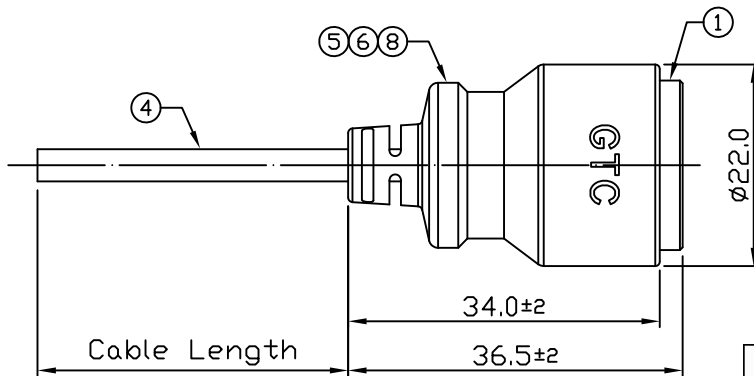
REV	ECN#	DESCRIPTION OF REVISION	DRAW BY DATE	CHECK BY DATE	APPROVE BY DATE
01		PRELIMINARY	Hank 12/14/17	Lucas 12/14/17	Ray 12/14/17



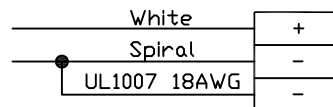
BREDI S.r.l.
Via dei Falegnami, 2 - 41049 - Sassuolo - MO - ITALY
T: +39 - 0536 803 561 - F: +39 - 0536804812

www.bredi.it - vendite@bredi.it

Marchio solo per finalità commerciale



Scannerizza e guarda il video:



Wiring Diagram

Item	Part Name	Material / Finish	Q'ty
8	Wire	UL1007 18AWG Color: Black	1
7	Steel Sheet	SUS Finish: -	2
6	Over Mold	PVC Color: Black	1
5	Inner Mold	Thermoplastic Color: White or Black	1
4	Cable	UL1185 18AWG*1C+Spiral OD=3.5mm, Color: Black	1
3	Magnet	Nd-Fe-B N50 Finish: Ni	2
2	Contacts	Copper Alloy Finish: Au Plated	3
1	Housing	Thermoplastic Color: Black	1

GT193110-02021-10	10000mm	+500
GT193110-02021-09	9000mm	+450
GT193110-02021-08	8000mm	+400
GT193110-02021-07	7000mm	+150
GT193110-02021-06	6000mm	+150
GT193110-02021-05	5000mm	+150
GT193110-02021-04	4000mm	+150
GT193110-02021-03	3000mm	+100
GT193110-02021-02	2000mm	+100
GT193110-02021-01	1000mm	+50
GT193110-02021-Z9	900mm	+50
GT193110-02021-Z8	800mm	+50
GT193110-02021-Z7	700mm	+50
GT193110-02021-Z6	600mm	+50
GT193110-02021-Z5	500mm	+50
GT193110-02021-Z4	400mm	+50
GT193110-02021-Z3	300mm	+25
GT193110-02021-Z2	200mm	+25
Part No.	Cable Length	Tol.

GT Contact CO.,LTD

NOTICE OF PROPRIETARY PROPERTY:
THE INFORMATION CONTAINED HEREIN IS THE PROPRIETARY PROPERTY OF GT Contact CO.,LTD THE POSSESSOR AGREES TO THE FOLLOWING:
 (1) TO MAINTAIN THIS DOCUMENT IN CONFIDENCE
 (2) NOT TO REPRODUCE OR COPY IT
 (3) NOT TO REVEAL OR PUBLISH IT IN WHOLE OR PART
 (4) ALL RIGHTS RESERVED

TITLE						DRAWING NUMBER			REV.	
Magnetic 5A 2 Contacts rotating 360 degrees Cable End With Cable						GT193110-02021-XX			01	
	B	1:1	Hank 12/14/17	Lucas 12/14/17	Ray 12/14/17	X.X ± 0.5	X.XXX ± 0.05	mm	1/1	
THIRD ANGLE PROJECTION	SIZE	SCALE	DRAW / DATE	CHECK / DATE	APPROVE / DATE	TOLERANCES		UNIT	SHEET	

1

2

3

4

1

2

3

4

Notes: (Unless Otherwise Specified)

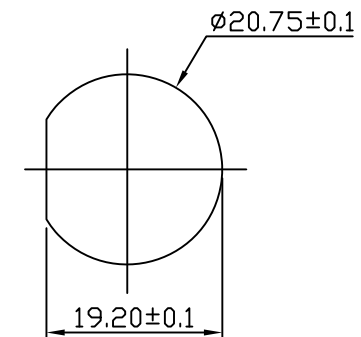
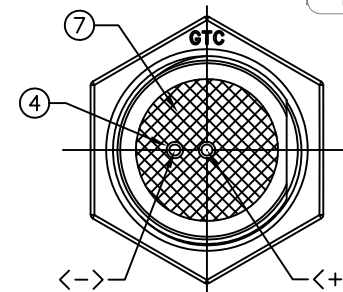
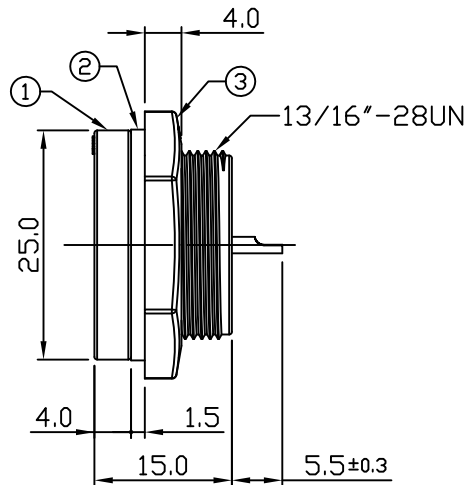
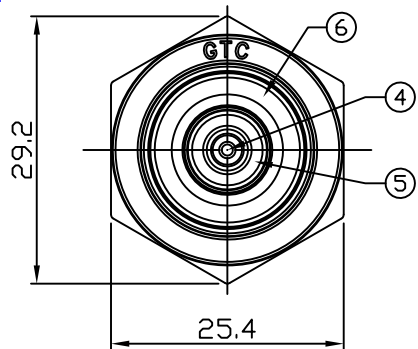
- 1. Waterproof Rate : IP67
- 2. Recommend Panel Thickness: 0.8 To 4.0 mm.
- 3. Recommend Torque: 14~15 Kgf-cm.
- 4. DWV: 500 Vrms
- 5. Rated Voltage: 30V AC/DC
- 6. Insulation Resistance: 100 MΩ MIN.
- 7. RoHS Compliant.

REV	ECN#	DESCRIPTION OF REVISION	DRAW BY DATE	CHECK BY DATE	APPROVE BY DATE
01		PRELIMINARY	Hank 12/13/17	Lucas 12/13/17	Ray 12/13/17



BREDI S.r.l.
 Via dei Falegnami, 2 - 41049 - Sassuolo - MO - ITALY
 T: +39 - 0536 803 561 - F: +39 - 0536804812
www.bredi.it - vendite@bredi.it
 Marchio solo per finalità commerciale

Scannerizza e guarda il video:



Recommend Panel Cut-Out

7	Glue	Epoxy Color: Black	
6	Metal Ring	SUS430 Finish: -	1
5	Contact Ring	Copper Alloy Finish: Au Plated	1
4	Contacts	Copper Alloy Finish: Au Plated	2
3	Hex Nut	Thermoplastic Color: Black	1
2	Gasket	Silicone Color: Black	1
1	Housing	Thermoplastic Color: Black	1
Item	Part Name	Material / Finish	Q'ty



TITLE						DRAWING NUMBER			REV.	
Magnetic 5A 2 Contacts rotating 360 degrees Panel Solder						GT193000-02020			01	
	B	1:1	Hank 12/13/17	Lucas 12/13/17	Ray 12/13/17	X.X ± 0.5	X.XXX ± 0.05	mm	1/1	
THIRD ANGLE PROJECTION	SIZE	SCALE	DRAW / DATE	CHECK / DATE	APPROVE / DATE	TOLERANCES		UNIT	SHEET	

GT Contact CO.,LTD

NOTICE OF PROPRIETARY PROPERTY:
 THE INFORMATION CONTAINED HEREIN IS THE PROPRIETARY PROPERTY OF GT Contact CO.,LTD THE POSSESSOR AGREES TO THE FOLLOWING:
 (O) TO MAINTAIN THIS DOCUMENT IN CONFIDENCE
 (O) NOT TO REPRODUCE OR COPY IT
 (O) NOT TO REVEAL OR PUBLISH IT IN WHOLE OR PART
 (O) ALL RIGHTS RESERVED

1

2

3

4

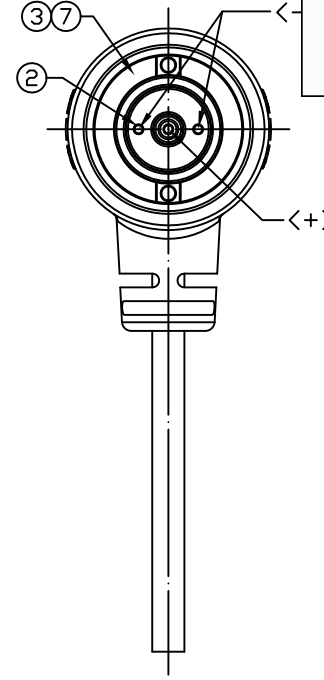
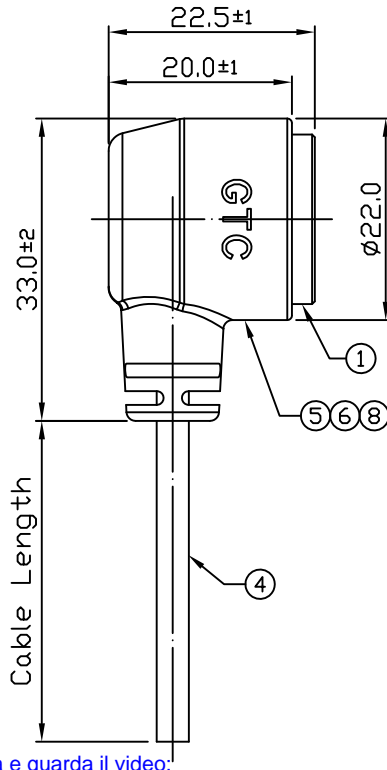
Notes: (Unless Otherwise Specified)
 1. DWV: 500 Vrms
 2. Rated Voltage: 30V AC/DC
 3. Insulation Resistance: 100 MΩ MIN.
 4. RoHS Compliant.

REV	ECN#	DESCRIPTION OF REVISION	DRAW BY DATE	CHECK BY DATE	APPROVE BY DATE
01		PRELIMINARY	Hank 12/14/17	Lucas 12/14/17	Ray 12/14/17



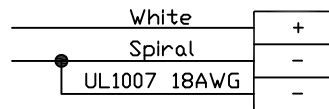
BREDI S.r.l.
 Via dei Falegnami, 2 - 41049 - Sassuolo - MO - ITALY
 T: +39 - 0536 803 561 - F: +39 - 0536804812
 www.bredi.it - vendite@bredi.it
 Marchio solo per finalità commerciale

GTC
 DOC.CENTER.ISSUE
 DEC.21.2017
 ONLY FOR
 RELEASE



8	Wire	UL1007 18AWG Color: Black	1
7	Steel Sheet	SUS Finish: -	2
6	Over Mold	PVC Color: Black	1
5	Inner Mold	Thermoplastic Color: White or Black	1
4	Cable	UL1185 18AWG*1C+Spiral ØD=3.5mm, Color: Black	1
3	Magnet	Nd-Fe-B N50 Finish: Ni	2
2	Contacts	Copper Alloy Finish: Au Plated	3
1	Housing	Thermoplastic Color: Black	1
Item	Part Name	Material / Finish	Q'ty

Scannerizza e guarda il video:



Wiring Diagram

GT193119-02021-10	10000mm	+500
GT193119-02021-09	9000mm	+450
GT193119-02021-08	8000mm	+400
GT193119-02021-07	7000mm	+150
GT193119-02021-06	6000mm	+150
GT193119-02021-05	5000mm	+150
GT193119-02021-04	4000mm	+150
GT193119-02021-03	3000mm	+100
GT193119-02021-02	2000mm	+100
GT193119-02021-01	1000mm	+50
GT193119-02021-Z9	900mm	+50
GT193119-02021-Z8	800mm	+50
GT193119-02021-Z7	700mm	+50
GT193119-02021-Z6	600mm	+50
GT193119-02021-Z5	500mm	+50
GT193119-02021-Z4	400mm	+50
GT193119-02021-Z3	300mm	+25
GT193119-02021-Z2	200mm	+25
Part No.	Cable Length	Tol.

GT Contact CO.,LTD

NOTICE OF PROPRIETARY PROPERTY:
 THE INFORMATION CONTAINED HEREIN IS THE PROPRIETARY PROPERTY OF GT Contact CO.,LTD THE POSSESSOR AGREES TO THE FOLLOWING:
 (1) TO MAINTAIN THIS DOCUMENT IN CONFIDENCE
 (2) NOT TO REPRODUCE OR COPY IT
 (3) NOT TO REVEAL OR PUBLISH IT IN WHOLE OR PART
 (4) ALL RIGHTS RESERVED

TITLE						DRAWING NUMBER			REV.	
Magnetic 5A 2 Contacts rotating 360 degrees Cable End 90° With Cable						GT193119-02021-XX			01	
	B	1:1	Hank 12/14/17	Lucas 12/14/17	Ray 12/14/17	X.X ± 0.5	X.XXX ± 0.05	mm	1/1	
THIRD ANGLE PROJECTION	SIZE	SCALE	DRAW / DATE	CHECK / DATE	APPROVE / DATE	TOLERANCES		UNIT	SHEET	